

AirMax Gas Air Compressor

3A0595D
EN

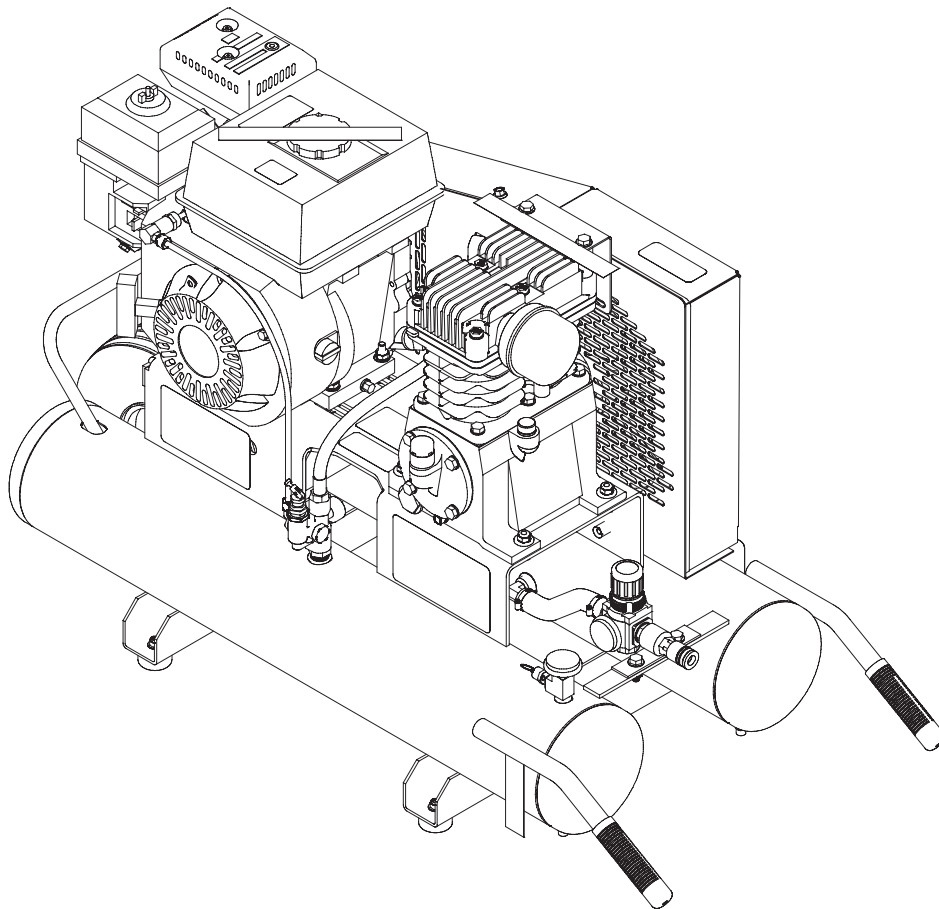
*-For Compressed Air Delivery-
-For outdoor use only-*



IMPORTANT SAFETY INSTRUCTIONS

Read all warnings and instructions in this manual.
SAVE THESE INSTRUCTIONS.

Model	Horse Power and Motor Brand	Maximum Working Pressure		
		PSI	MPa	bar
1310G	200cc Honda	125	0.86	8.6
1720G	270cc Honda	175	1.21	12.1



PROVEN QUALITY. LEADING TECHNOLOGY.






CONTENTS

Important	3	Air Compressor - Parts	16
Burst Hazard	3	262360- Model 1310G.....	16
Fire & Explosion Precautions	3	Pump Assembly - Parts	18
Toxic Fumes Hazard	4	16E739 (For Use With Model 1310G).....	18
Burn Hazard	4	Air Compressor - Parts	20
Compressed Air Hazard	4	262361- Model 1720G.....	20
Moving Parts Hazard	5	Pump Assembly - Parts	22
Equipment Misuse Hazard	5	16E738 (For Use With Model 1720G).....	22
Personal Protective Equipment	5	Notes	24
Component Identification	6	Technical Data	25
Installation & Preparation		Graco Standard Warranty	26
Instructions	9		
Initial Setup.....	9		
Gasoline Engine.....	10		
Pre-Start Checklist.....	10		
Operation Instructions	11		
Start-Up.....	11		
Shutdown.....	11		
Maintenance Instructions	12		
Troubleshooting	13		
Notes	15		

THIS SPARK IGNITION SYSTEM COMPLIES WITH
CANADIAN ICES-002.
CE SYSTÈME D'ALLUMAGE PAR ÉTINCELLE EST
CONFORME À LA NORME NMB-002 DU CANADA.

The following warnings are for the setup, use, maintenance, and repair of this equipment. The exclamation point symbol alerts you to a general warning and the hazard symbols refer to procedure-specific risks. When these symbols appear in the body of this manual, refer back to these Warnings. Product-specific hazard symbols and warnings not covered in this section may appear throughout the body of this manual where applicable.

WARNING

	<p>IMPORTANT</p> <p>The engine exhaust from this product contains chemicals known to the State of California to cause cancer, birth defects or other reproductive harm.</p> <p>This product contains one or more chemicals known to the State of California to cause cancer and birth defects or other reproductive harm.</p> <p>The following is required by California State law, Section 4442 of the California Public Resources Code. Other states may have similar laws. Federal laws apply on federal lands.</p> <ul style="list-style-type: none"> • A spark arrester must be added to the muffler of this engine if it is to be used on any forest covered, brush covered or grass covered unimproved land. The arrester must be maintained in effective working order by the operator. • See your engine or equipment dealer for spark arrester muffler options.
	<p>BURST HAZARD</p> <p>Serious injury or death may occur from an air tank explosion if air tanks are not properly maintained.</p> <ul style="list-style-type: none"> • Drain air tank daily or after each use to prevent moisture buildup in the air tank. • If air tank develops a leak, replace the air tank immediately. Never repair, weld or make modifications to the air tank or its attachments. Use only genuine repair parts for your air compressor. • Never make adjustments to the factory set pressures. <p>Serious injury may occur from an air compressor malfunction or exploding accessories if incorrect system components, attachments or accessories are used.</p> <ul style="list-style-type: none"> • Never exceed manufacturers maximum allowable pressure rating of attachments. • Because of extreme heat, do not use plastic pipe or lead tin soldered joints for a discharge line. • Never use air compressor to inflate small, low pressure objects such as toys.
	<p>FIRE & EXPLOSION PRECAUTIONS</p> <p>Serious injury or death may occur from normal sparks in the engine ignition system or engine exhaust/muffler.</p> <ul style="list-style-type: none"> • Always operate air compressor in a well ventilated area free of flammable vapors, combustible dust, gasses or other combustible materials. • Do not smoke if spraying flammable material. Locate the air compressor at least 20 feet away from the spray area. (An additional hose may be required.) • Engine creates sparks. Do not operate in flammable environment. Follow all instructions and warnings supplied with material to be sprayed. • This equipment incorporates parts, such as snap switches, receptacles, produce arcs or sparks and, therefore, when located in a garage, it should be in a room or enclosure provided for the purpose, or should be 18 inches (457mm) or more above the floor. <p>Injury or death may occur as a result of improper fueling.</p> <ul style="list-style-type: none"> • Do not smoke while filling engine fuel tank • Never fill the engine fuel tank while the unit is running or hot. Allow the engine to cool two minutes

⚠ WARNING

before refueling.

- Do not refuel indoors or in a poorly ventilated area.
- Always refuel slowly to avoid the possibility of spilled fuel which may cause a risk of fire.
- Do not operate the unit if gasoline is spilled. Wipe unit clean and move the unit away from the spill. Avoid creating any ignition until the gasoline has evaporated.
- Do not store the unit near an open flame or any equipment such as a stove, furnace, water heater, etc., which utilizes a pilot light or devices which can create a spark.

Serious injury may occur if any air compressor ventilation openings are restricted, causing the air compressor to overheat and start a fire.

- Never place objects against or on top of air compressor. Operate air compressor at least 12 inches away from any wall or obstruction that would restrict proper ventilation.

TOXIC FUMES HAZARD



Serious injury or death could occur from inhaling compressed air. The air stream may contain carbon monoxide, toxic vapors or solid particles.

- Never inhale air from the air compressor either directly or from a breathing device connected to the air compressor.

Serious injury or death may occur from inhaling engine exhaust.

- This air compressor was designed for outdoor use. Never operate this air compressor in an enclosed area. Always make certain there is adequate ventilation (fresh outside air) for breathing and combustion. This will prevent the buildup of dangerous carbon monoxide gases. Beware of poorly ventilated areas, or areas with inadequate exhaust fans.

Sprayed materials such as paint, paint solvents, paint remover, insecticides, weed killers, etc. contain harmful vapors and poisons.

- Operate air compressor only in a well ventilated area. Follow all safety instructions provided with the materials you are spraying. Use of a respirator may be required when working with some materials.

BURN HAZARD



Serious injury could occur from touching exposed metal parts. These areas can remain hot for some time after the air compressor is shutdown.

- Never allow any part of your body or other material to make contact with any exposed metal parts on the air compressor.
- Never allow any part of your body to contact the engine muffler or adjacent areas.

COMPRESSED AIR HAZARD



Soft tissue damage can occur from the compressed air stream.

- Always wear safety glasses to shield the eyes from flying debris.
- Never point the air stream at any part of your body, anyone else or animals.
- Never leave pressurized air in the air compressor. Shut off air compressor and relieve pressure when storing or attempting maintenance.

Serious injury can occur from loose debris being propelled at a high speed from the compressed air stream.

- Always maintain a safe distance from people and animals while operating the air compressor.
- Do not move the air compressor while air tank is under pressure. Do not attempt to move the air compressor by pulling on the hose.

WARNING

MOVING PARTS HAZARD



Risk of bodily injury from moving parts.

- Before performing maintenance always turn off air compressor. Bleed pressure from the air hose and disconnect spark plug wire to prevent engine from starting unexpectedly. All repairs to the air compressor should be made by an Authorized Service Person.
- Do not operate without protective covers/guards. Always turn off air compressor before removing any guard. Replace damaged covers/guards before using the air compressor.

EQUIPMENT MISUSE HAZARD



Misuse can cause death or serious injury.

- Check equipment daily. Repair or replace worn or damaged parts immediately with genuine manufacturer's replacement parts only.
- Do not alter or modify equipment.
- Use equipment only for its intended purpose. Call your distributor for information.
- Route hoses and cables away from traffic areas, sharp edges, moving parts, and hot surfaces.
- Comply with all applicable safety regulations.
- Never allow children or adolescents to operate this air compressor!
- Stay alert-watch what you are doing.
- Do not operate the air compressor when fatigued or under the influence of alcohol or drugs.
- Know how to stop the air compressor. Be thoroughly familiar with controls.

PERSONAL PROTECTIVE EQUIPMENT

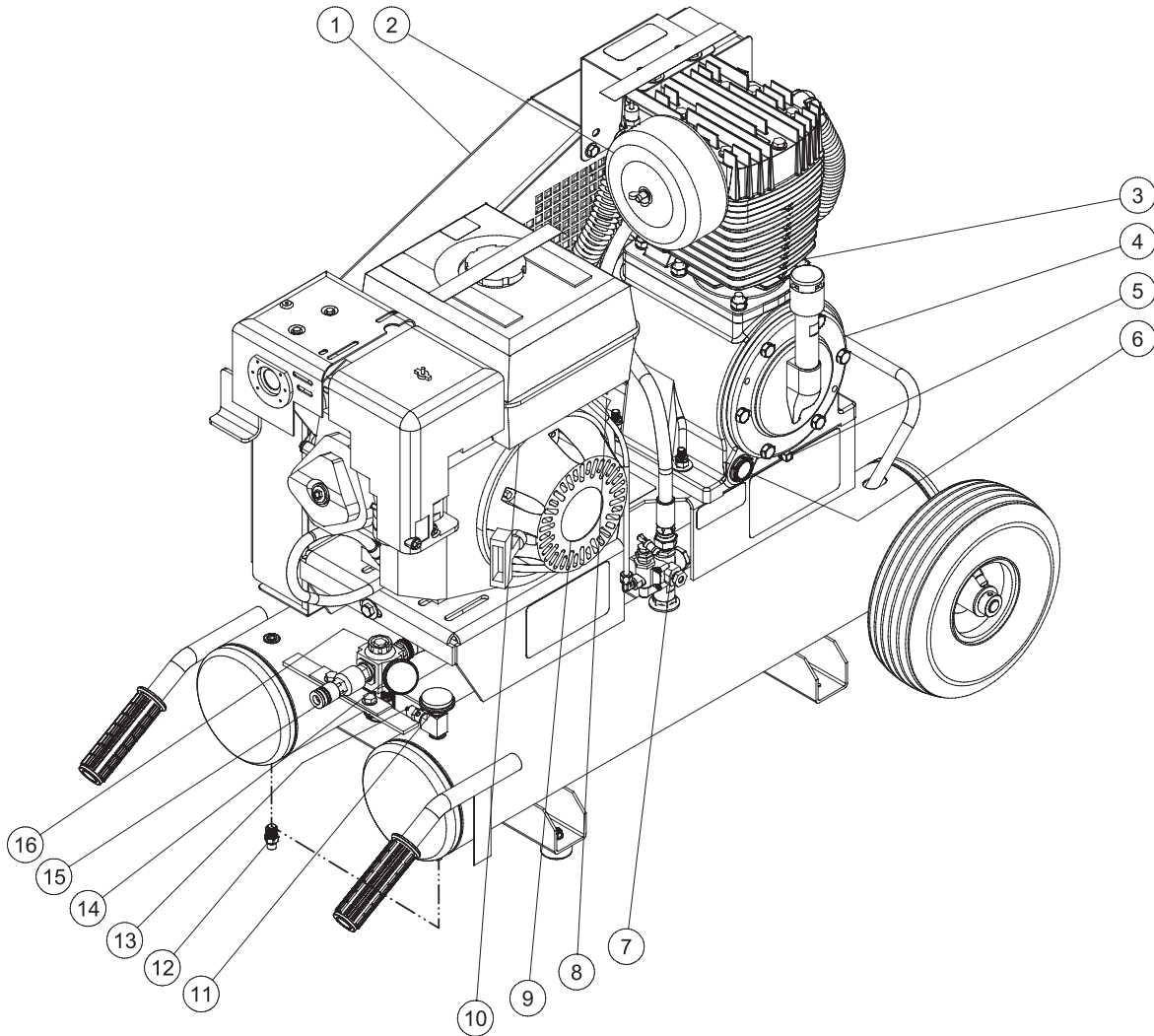


You must wear appropriate protective equipment when operating, servicing, or when in the operating area of the equipment to help protect you from serious injury, including eye injury, hearing loss, inhalation of toxic fumes, and burns. This equipment includes but is not limited to:

- Protective eyewear, and hearing protection.

Component Identification

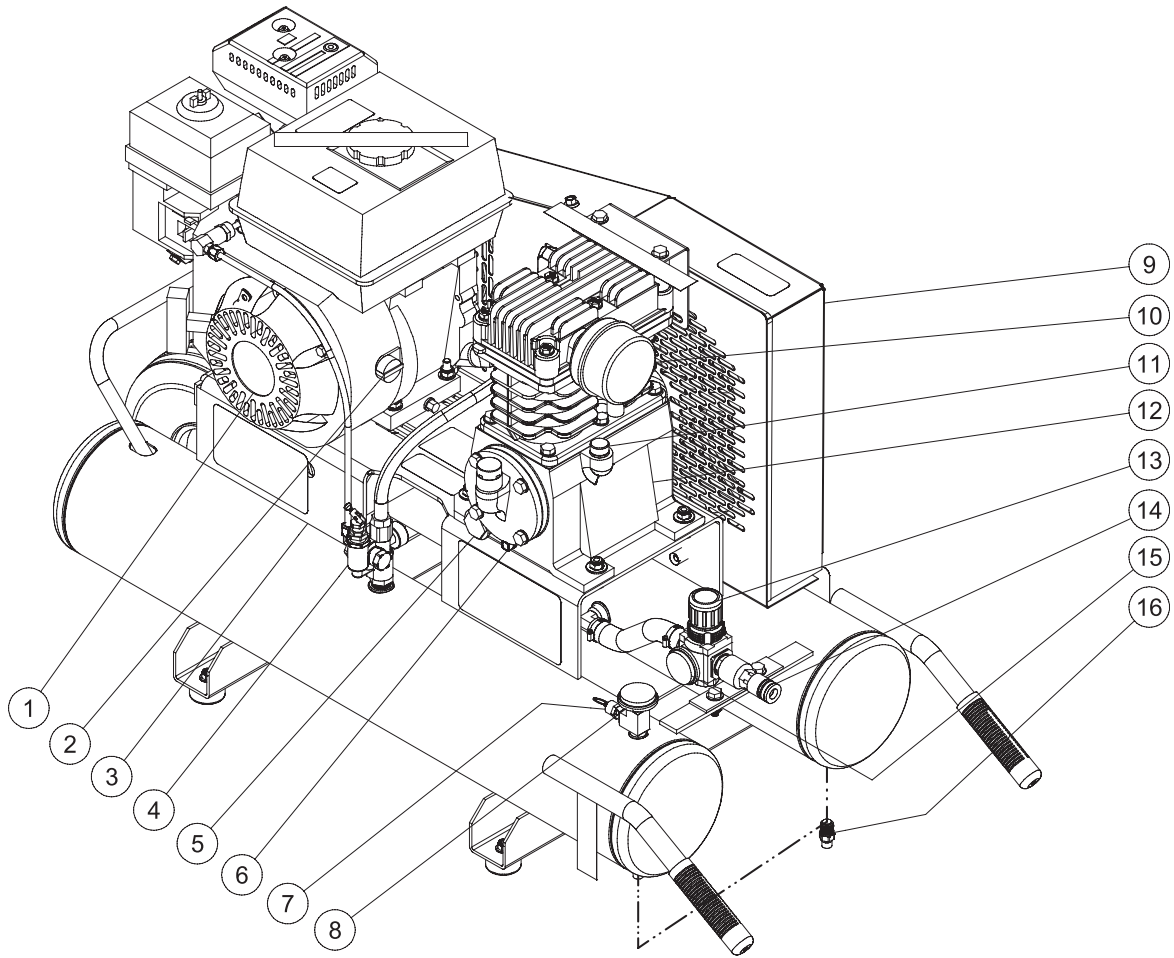
262361 - Model 1720G



Item	Description	Item	Description
1	Beltguard	9	Engine
2	Air Filter	10	Engine Throttle Control
3	Oil Fill Port	11	Pressure Gauge - Tank Psi
4	Air Compressor Pump	12	Tank Drain Valve
5	Pump Oil Drain	13	Pressure Relief Valve
6	Oil Sight Glass	14	Pressure Gauge - Outlet Psi
7	Pilot Valve	15	Outlet Fitting
8	Engine Switch	16	Pressure Regulator

Component Identification

262360 - Model 1310G

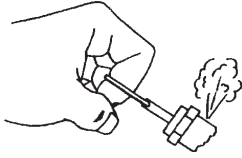


Item	Description
1	Engine
2	Engine Switch
3	Engine Air Throttle Control
4	Pilot Valve
5	Oil Sight Glass
6	Pump Oil Drain
7	Pressure Relief Valve
8	Pressure Gauge - Tank Psi

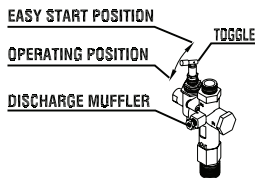
Item	Description
9	Beltguard
10	Air Filter
11	Oil Fill Port
12	Pump
13	Pressure Regulator
14	Outlet Fitting
15	Pressure Gauge - Outlet Psi
16	Tank Drain Valve

Component Identification

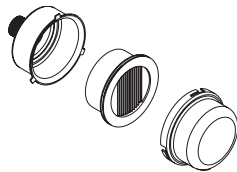
SAFETY RELIEF VALVE: This valve is designed to prevent system failures by relieving pressure from the system when the compressed air reaches a predetermined level. The valve is preset by the manufacturer and must not be modified in any way. To verify the valve is working properly, pull on the ring. Air pressure should escape. When the ring is released, it will reset.



PILOT VALVE: When the toggle is in the upright position, all air from the air compressor is vented through the discharge muffler. This gives an easy start feature. For normal operation, the toggle is in the 90° position.

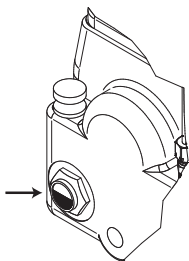


AIR INTAKE FILTER: This filter is designed to clean air coming into the pump. To ensure the pump continually receives a clean, cool, dry air supply this filter must always be clean and ventilation opening free from obstructions. Replace filter element when necessary.

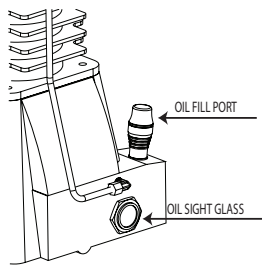


OIL FILL PORT/VENT: Pour oil into the Oil Fill Port/Vent when required.

OIL SIGHT GLASS: The Oil Sight Glass displays the oil level in the pump. The oil level should be at the center of the Oil Sight Glass. If low, add SAE 30W non-detergent oil.



Model 1310G



Model 1720G

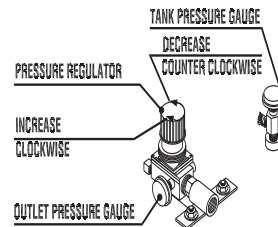
AIR COMPRESSOR PUMP (Single Stage): To compress air, the pistons move up and down in the cylinders. On the downstroke, air is drawn in through the air intake valves while the exhaust valves remain closed. On the upstroke, air is compressed, the intake valves close and compressed air is forced out through the exhaust valves, into the discharge line, through the pilot valve and into the air tank.

AIR COMPRESSOR PUMP (Two Stage): A two stage compressor pump uses two different size cylinders with the intake valve of the second smaller cylinder linked to the exhaust valve of the first larger cylinder. On the down stroke of the large cylinder, air is drawn through the intake valve while the exhaust valve remains closed. On the upstroke, air is compressed, the intake valve closes and compressed air is forced out through the exhaust valve, into the inter cooler and through the intake valve of the second smaller cylinder on its down stroke. On the upstroke of the smaller cylinder, the intake valve closes and the compressed air is compressed a second time and forced out the exhaust valve into the discharge line, through the tank check valve and into the air tank.

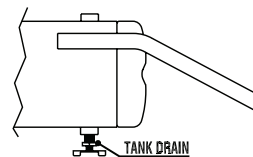
AIR TANK PRESSURE GAUGE: The air tank pressure gauge indicates the reserve air pressure in the air tank (s).

PRESSURE REGULATOR: The air pressure coming from the air tank is controlled by the regulator knob. Turn the pressure regulation knob clockwise to increase discharge pressure, and counterclockwise to decrease discharge pressure.

OUTLET PRESSURE GAUGE: The outlet pressure gauge indicates the air pressure available at the outlet side of the regulator. This pressure is controlled by the regulator and is always less or equal to the air tank pressure.




AIR TANK DRAIN VALVE: The drain valve is used to remove moisture from the air tank(s) after the air compressor is shut off. **NEVER attempt to open the drain valve when more than 10 PSI of air pressure is in the air tank!** To open the drain valve, turn the knob counterclockwise.



INSTALLATION & PREPARATION INSTRUCTIONS

Initial Setup

									
---	--	--	--	--	--	--	--	--	--



Read safety warnings before setting-up air compressor. The following information contains operating and maintenance instructions.

Ensure the oil level in the air compressor pump is adequate. If low, add sae 30w non-detergent oil.

NOTICE									
---------------	--	--	--	--	--	--	--	--	--



In order to avoid damaging the air compressor, do not incline the air compressor transversely or longitudinally more than 10°.

Place air compressor at least 12 inches away from obstacles that may prevent proper ventilation.

									
---	---	--	--	--	--	--	--	--	--

Do not place air compressor in an area:

- Where there is evidence of oil or gas leaks.
- Where flammable gas vapors or materials may be present.
- Where air temperatures fall below 32°F or exceed 104°F.
- Where extremely dirty air or water could be drawn into the air compressor.

									
---	---	--	--	--	--	--	--	--	--

Do not operate in an enclosed area. Use this product only in well ventilated areas. Exhaust from the engine contains carbon monoxide, a poisonous odorless and invisible gas. Breathing the gas can cause serious injury, illness and possible death.

INSTALLATION & PREPARATION INSTRUCTIONS

Gasoline Engine



Review “Fire & Explosion Precautions” pg. 3, before fueling.

Locate the Safety Decals on your unit and heed their warnings.

Read the engine manual accompanying this air compressor for correct engine start-up maintenance procedures.

A minimum of 86 octane fuel is recommended for use with this unit. Do not mix oil with gasoline.

Purchase fuel in quantities that may be used within 30 days. Use of clean, fresh lead free gasoline is recommended. Leaded gasoline may be used if lead-free is unavailable. Do not use gasoline containing methanol or alcohol.

Check the engine oil level before starting the engine. (See engine manual.)

Fill the fuel tank according to accompanying engine manual instructions.

Refer to the engine manual for all necessary maintenance and adjustments.

Pre-Start Checklist

1. Check oil level. Add if necessary.
2. Remove any moisture in the air compressor air tank.



Risk of bodily injury. Never attempt to open the Air Tank Drain Valve when more than 10 PSI of air pressure is in the air tank.

3. Remove excessive pressure with an air tool, then open the Air Tank Drain Valve in the bottom of the air tank. Close tightly when drained.
4. Make sure the engine switch is in the “OFF” position.
5. Make sure the safety relief valve is working correctly.
6. Make sure all guards and covers are in place and securely mounted.



Do not alter or modify this equipment in any matter!



Incorrect operation of this unit can cause serious injury!

OPERATION INSTRUCTIONS

Start-Up



Read all safety warnings before performing operation. Do not attempt to operate this air compressor until you have read and understood all safety precautions and instructions listed in this manual.

1. Flip the toggle on top of the pilot valve to the upright position. This provides a loadless start. The air compressor will unload and allow easier engine start-up.
2. Start the engine. Refer to the Engine Manual.
3. When the engine has run for 1-2 minutes, flip toggle back to the original position.
4. Set pressure by adjusting the pressure regulator counterclockwise for less pressure and clockwise for more pressure.

NOTICE

If you notice any unusual noise or vibration, stop the air compressor and refer to “Troubleshooting”.

Shutdown

1. To stop the air compressor, move the engine switch to the “OFF” position. Refer to the Engine Manual.
2. Drain air from the air tanks by releasing air with an attached air tool or by pulling on the safety relief valve.
3. Once the air tank pressure gauge registers under 10 pounds, open the drain valve under each air tank to drain any moisture.
4. Allow the air compressor to cool down.
5. Wipe air compressor clean and store in a safe, non-freezing area.

MAINTENANCE INSTRUCTIONS

Read the instruction manual before performing maintenance. The following procedures must be performed when stopping the air compressor for maintenance or service.

1. Turn off air compressor.
2. Disconnect spark plug wire from engine.
3. Open all drains.
4. Wait for the air compressor to cool before starting service.

Interval	What to do
Daily	Check pump oil level. Check engine oil level. Oil leak inspection. Check engine air filter. Drain condensation in air tank(s). Inspect guards/covers. Check unusual noise/vibration. Check for air leaks.
Weekly	Clean exterior of compressor. Inspect air filter.
Monthly	Inspect belt. Check safety relief valve.
200 hours	Change pump oil*. Replace air filter. Check engine spark plug.

NOTICE

* The pump oil must be changed after the first 50 hours of operation and every 200 hours or 3 months, whichever comes first.

The engine oil must be changed after the first 8 hours of operation and every 50 hours or 3 months, whichever comes first.

Every 2 years, an Authorized Service Technician should check the check valve, intake valves and delivery valves.

Troubleshooting

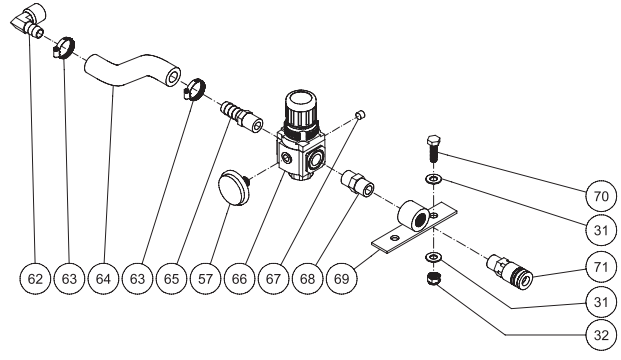
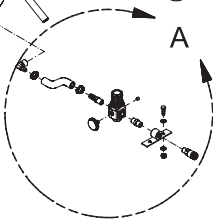
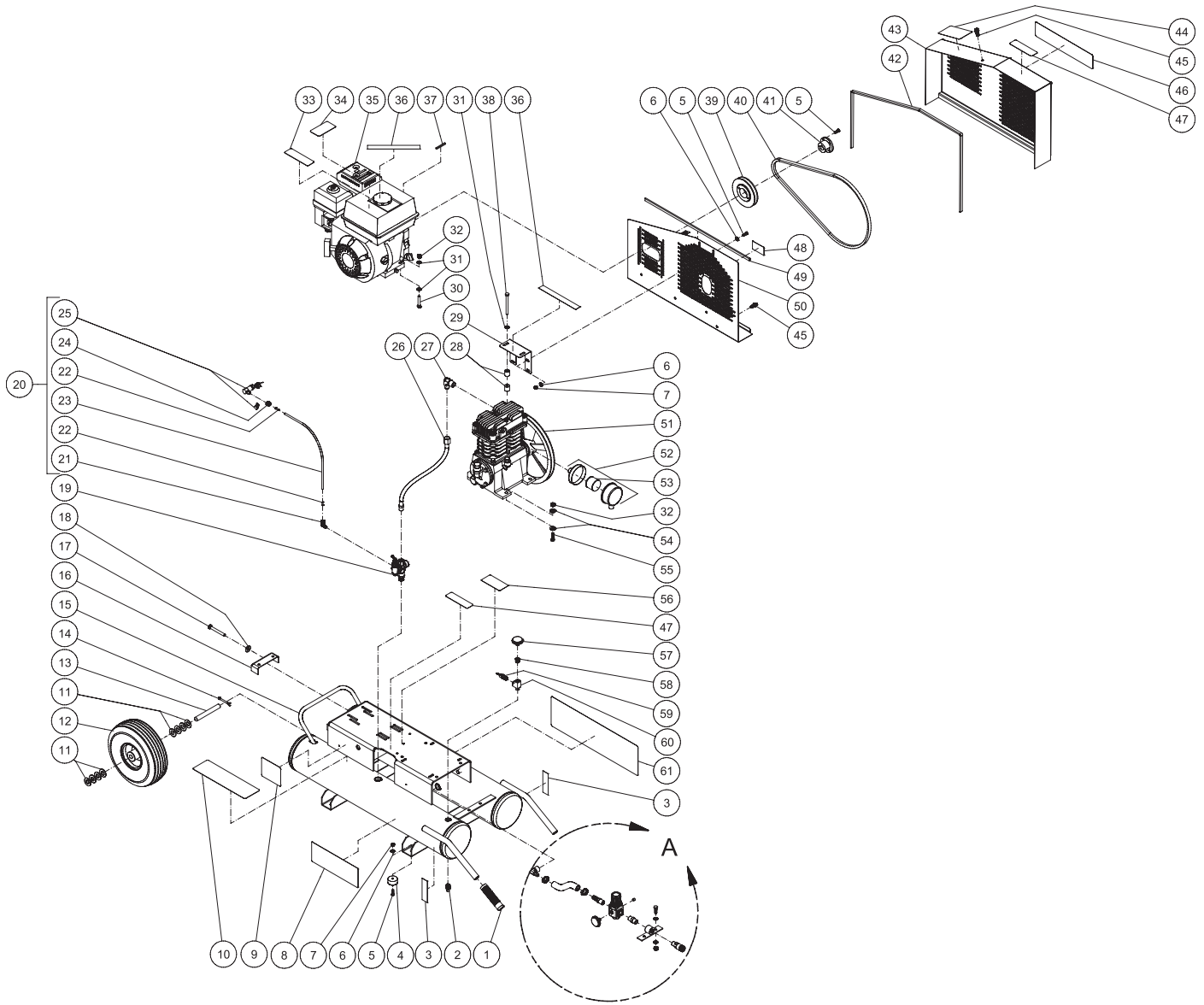
Problem	Cause	Solution
Engine will not start.	Various engine problems.	Refer to the engine manual accompanying your unit.
	Low engine oil level.	Engine is equipped with an Oil Alert System which will not allow the engine to start if oil level is low. Add oil, if needed.
Noisy operation.	Loose engine pulley or pump fly-wheel.	Tighten pulley and or flywheel.
	Lack of oil in the pump.	Add correct amount of oil. Check for bearing damage.
	Carbon deposits on pistons or valves.	Remove cylinder head and inspect. Clean or replace.
	Bearing, piston or connecting rod failure.	Stop the air compressor. Contact Graco Customer Service.
Pressure drop in air tank or rapid pressure loss when air compressor is shut off.	Air leaks at connections.	Allow air compressor to build pressure to the maximum allowed. Turn off and brush a soapy water solution onto all connections. Check connections for air bubbles. Tighten the connections where leaks are present.
	Air leak in air tank.	Air tank must be replaced. DO NOT attempt to repair air tank.
	Defective Pilot Valve.	Clean or replace.
Insufficient pressure at air tool or accessory.	Pressure Regulator not turned to high enough pressure or defective.	Adjust Pressure Regulator to proper setting or replace.
	Restricted air intake.	Clean or replace Air Intake Filter.
	Air leaks or restrictions.	Check for leaks and repair.
	Hose or hose connections are too small or long.	Replace with larger hose or connectors.
	Slipping belt.	Tighten or replace.
	Air compressor is not large enough for air requirement.	Check the accessory air requirement. If it is higher than the CFM or pressure supply to the air compressor, use a larger air compressor.
	Restriction in Pilot Valve	Clean or replace.
Air leaks from Safety Relief Valve.	Possible defective Safety Relief Valve.	Operate Safety Relief Valve manually by pulling on ring. If it still leaks, it should be replace.
	Excessive air tank pressure.	Clean, reset or replace Pilot Valve.
Air leaks at pump.	Defective gaskets.	Torque head bolts: Single Stage=17 ft./lbs. Two Stage=33 ft./lbs.
Air blowing from Air Intake Filter.	Defective inlet (reed) valve.	Contact Graco Customer Service.
Moisture in discharge air.	Condensation in air tank caused by high level of atmospheric humidity or air compressor is not run long enough.	Run air compressor a minimum of one hour to prevent condensation buildup. Drain air tank after every use. Drain air tank more often in humid weather and use an air line filter.

Troubleshooting

Problem	Cause	Solution
Excessive oil consumption or oil in hose.	Restricted Air Intake Filter.	Clean or replace.
	Air compressor on unlevel surface.	Do not incline the air compressor more than 10° in any direction while running.
	Crankcase overfilled with oil.	Drain oil. Refill to proper level with SAE-30W non detergent oil.
	Wrong viscosity.	Drain oil. Refill to proper level with SAE-30W non detergent oil.
	Plugged oil dipstick vent.	Clean.
	Plugged crankcase breather.	Clean or replace.
	Oil leaks.	Torque head bolts: Single Stage=17 ft./lbs. Two Stage=33 ft./lbs.
	Worn piston rings or scored cylinder.	Contact Graco Customer Service.
Oil has milky appearance.	Water in oil due to condensation.	Change oil and move air compressor to a less humid environment.

Air Compressor - Parts

262360- Model 1310G



DETAIL A

Air Compressor - Parts

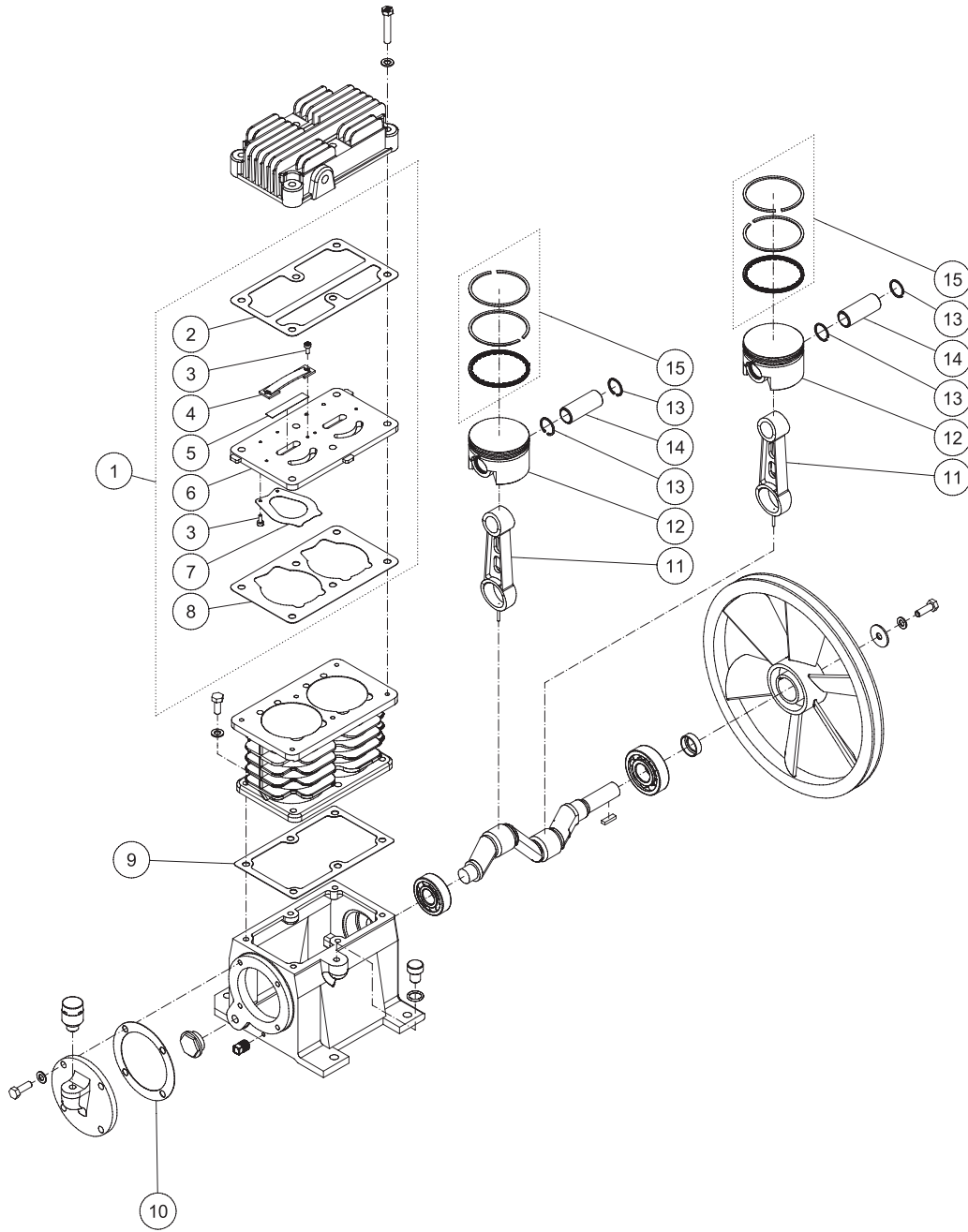
262360- Model 1310G

	DESCRIPTION	PART #	QTY	Description	Part #	Qty
1	Handle Grip	16E762	2	38 Bolt	16E734	2
2	Petcock	16E719	2	39 Sheave	16E678	1
3	Decal - Tank Drain		2	40 Belt	16E682	1
4	Isolator	16E686	4	41 Bushing	16E769	1
5	Bolt	100022	8	42 Edging *(Four Feet Required)	16E492	1
6	Washer	110755	8	43 Beltguard Cover	16E768	1
7	Locknut - 1/4-20	102040	6	44 ▲Decal - Operating Instructions (E)		1
8	Decal - Graco Airmax 1310G	16E424	1	45 Bolt	16E599	4
9	▲Decal - Maintenance Instructions (E)		1	46 ▲Decal - Operating Instructions (S/F)		1
10	▲Decal - Maintenance Instructions (S/F)		1	47 ▲Decal - Risk of Burns		2
11	Washer	111841	8	48 ▲Decal - Beltguard in Place		1
12	Wheel	16E476	1	49 Edging *(Three Feet Required)	16E492	1
13	Axle	16E697	1	50 Beltguard Back	16E767	1
14	Cotter Pin	16E755	2	51 Pump	16E739	1
15	Air Tank Assembly	N/A	1	52 Air Filter Assembly	16E696	1
16	Tightener Bracket	16E699	1	53 Filter	16E695	1
17	Bolt	100454	1	54 Washer	107194	8
18	Washer	100731	1	55 Bolt	100521	4
19	Pilot Valve	16E713	1	56 Decal- Silver Sticker	N/A	1
20	Air Throttle Control Assembly	16E764	1	57 Pressure Gauge	16E707	2
21	Elbow	16E721	1	58 Reducer	16E715	1
22	Tube Support	16E724	2	59 Safety Valve	16E705	1
23	Hose *(Two Feet Required)	16E689	1	60 Tee	16F025	1
24	Nut	16E720	1	61 ▲Decal - Caution/Warning/ Danger (E/S/F)	N/A	1
25	Air Throttle Control	N/A	1	62 Hose Barb	16E723	1
26	Hose	16E688	1	63 Hose Clamp	16E502	2
27	Elbow	16E728	1	64 Hose	16J759	1
28	Spacer	16E751	4	65 Hose Barb	16E482	1
39	Beltguard Bracket	16E702	1	66 Regulator	16E706	1
30	Bolt	802127	4	67 Plug	16E729	1
31	Washer	16E602	14	68 Nipple	156849	1
32	Locknut	111040	10	69 Regulator Mounting Bracket	16E698	1
33	▲Decal - Risk Of Fire		1	70 Bolt	114251	2
34	▲Decal - Risk Of Burns		1	71 Qc Socket	16F183	1
35	Engine	16E658	1	72 ▲Decal Set, Safety, (Includes 3, 9, 10, 33, 34, 36, 44, 46, 47, 48, 61)	16F185	1
36	Decal - Check Oil		2			
37	Key	197792	1			

▲ Replacement warning decals available at no cost.

Pump Assembly - Parts

16E739 (for use with Model 1310G)



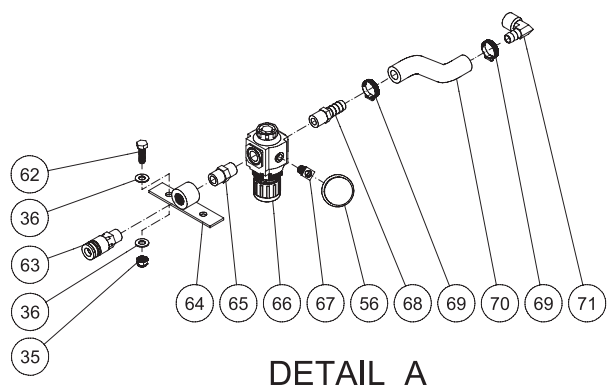
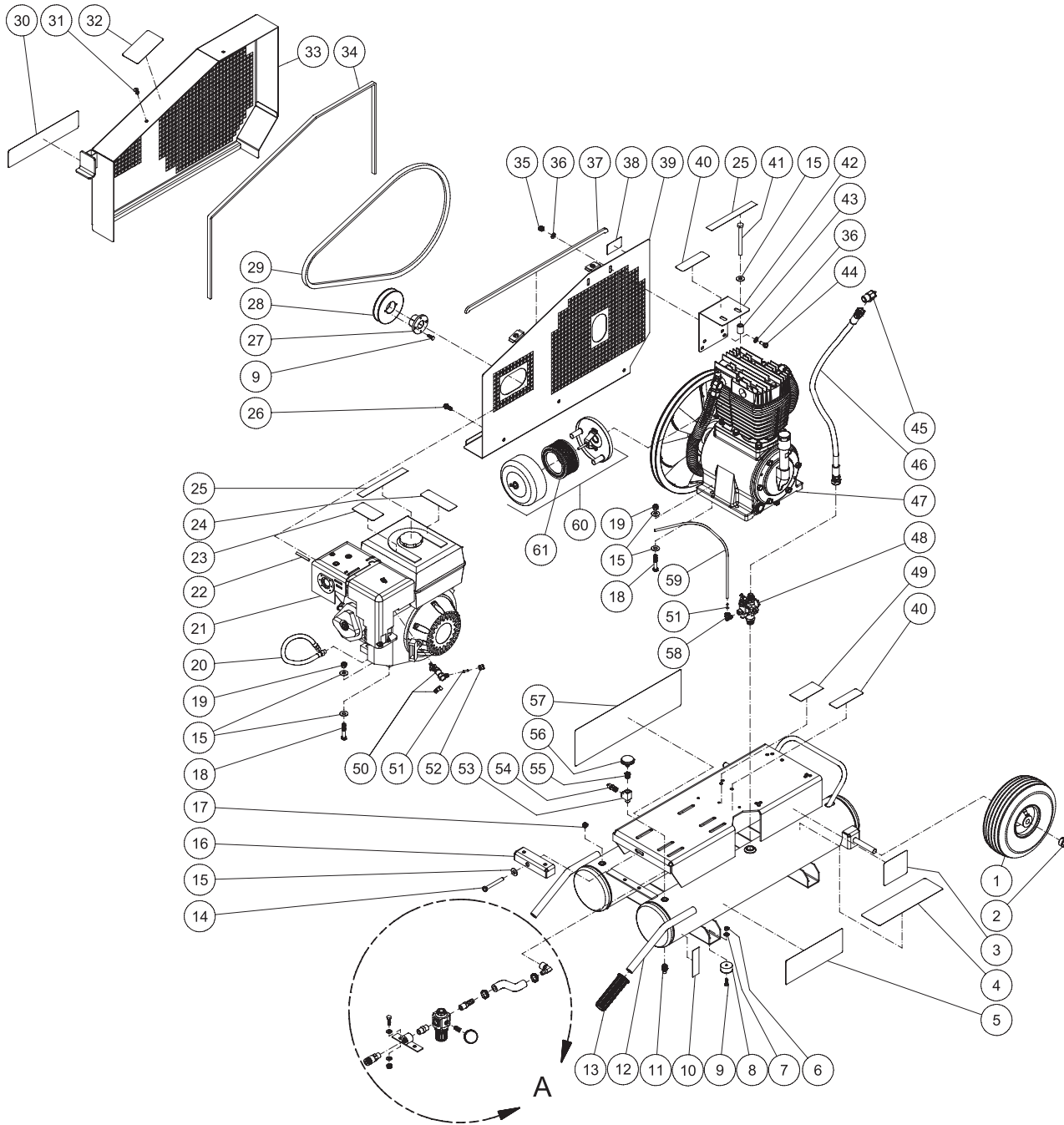
Pump Assembly - Parts

16E739 (for use with Model 1310G)

DESCRIPTION	PART #	QTY
Kit, Repair, Valve Plate Assy Includes 2-8 (1)	24E998	1
Kit, Repair, Piston Seals Includes 15	24E999	2
Kit, Repair, Piston Includes 11-14	24F002	2
Kit, Repair, Pump Gaskets Includes 2, 8, 9, 10	24F001	1

Air Compressor - Parts

262361- Model 1720G



DETAIL A

Air Compressor - Parts

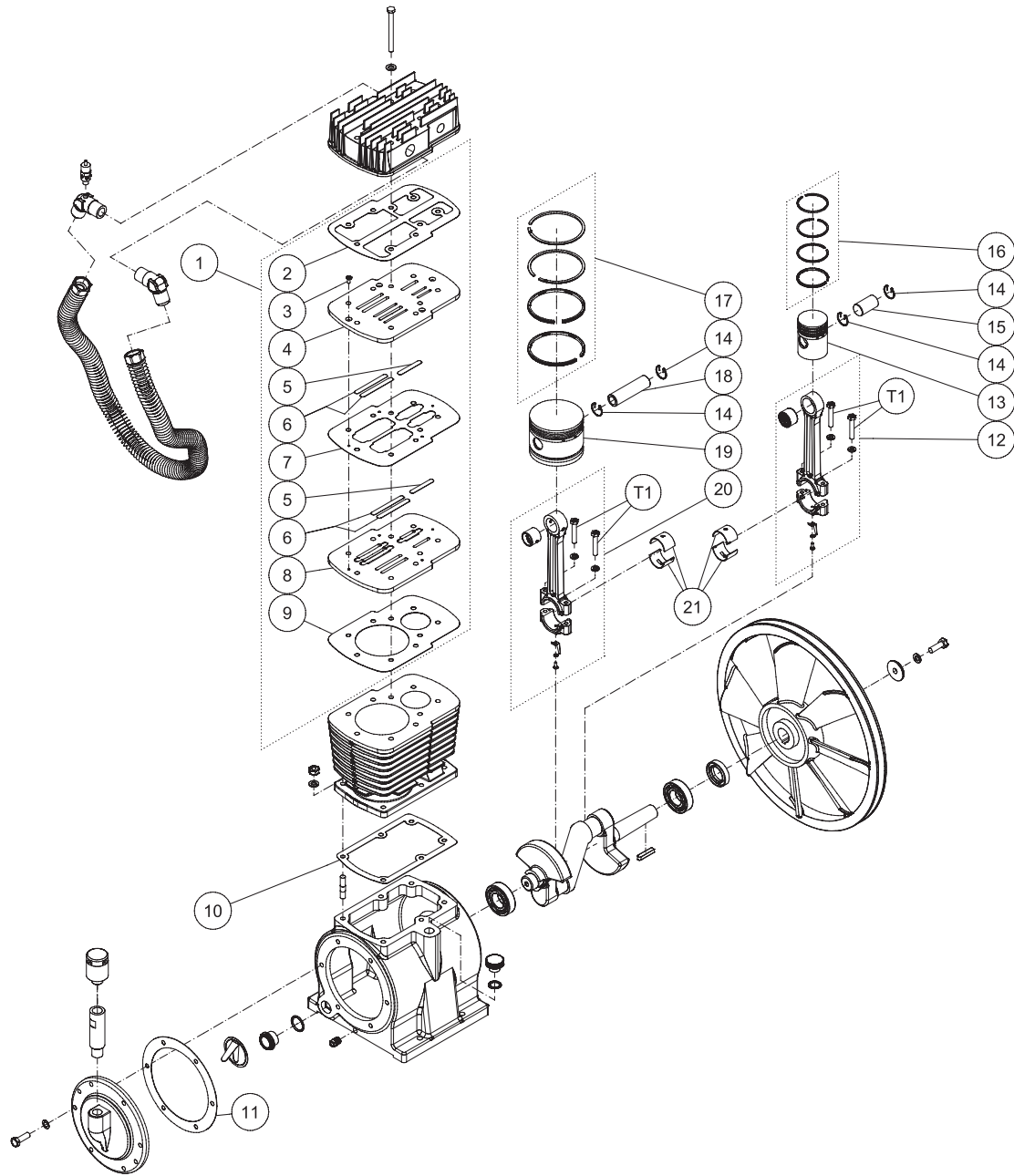
262361- Model 1720G

	DESCRIPTION	PART #	QTY	DESCRIPTION	PART #	QTY
1	Wheel	16E476	2	37 Edging *(Three Feet Required)	16E492	1
2	Collar	16E750	2	38▲ Decal - Warning, Beltguard In Place		1
3▲	Decal - Maintenance Instructions (E)		1	39 Beltguard Back	16E765	1
4▲	Decal - Maintenance Instructions (S/F)		1	40▲ Decal - Warning: Risk of Burns		2
5	Decal - Graco Airmax 1720G	16E425	1	41 Bolt	16E735	2
6	Locknut - 1/4-20	102040	2	42 Beltguard Bracket	16E685	1
7	Washer	110755	2	43 Spacer	16E753	2
8	Isolator	16E686	2	44 Bolt	100057	2
9	Bolt	100022	4	45 Elbow	16E728	1
10	Decal - Tank Drain	N/A	2	46 Hose	16E690	1
11	Petcock	16E719	2	47 Pump	16E738	1
12	Tank Assembly	N/A	1	48 Pilot Valve	16E709	1
13	Handle Grip	16E761	2	49 Decal- Silver Sticker	N/A	1
14	Bolt	100454	1	50 Air Throttle Control	16E752	1
15	Flatwasher	100731	19	51 Tube Support Insert	16E724	2
16	Belt Tensioner Plate	16E700	1	52 Compression Nut	16E720	1
17	Plug	16E587	1	53 Street Tee	16F025	1
18	Bolt	111803	8	54 Pressure Relief Valve	16E708	1
19	Locknut	101566	8	55 Bushing	16E715	1
20	Drainzit Drain Assembly	16E760	1	56 Pressure Gauge	16E710	2
21	Engine - 9.0 HP Honda	16E680	1	57 ▲ Decal - Caution/Warning/ Danger (E/S/F)		1
22	Key	801137	1	58 Elbow	16E721	1
23▲	Decal - Risk Of Burns		1	59 Hose (Two Feet Required)	16E689	1
24▲	Decal - Risk Of Fire		1	60 Filter Assembly (Inc. 36)	16E694	1
25▲	Decal - Check Oil Tape		2	61 Filter	16E693	1
26	Bolt	16E599	3	62 Bolt	114251	2
27	Bushing	15E517	1	63 Qc Socket	16F183	1
28	Sheave	16E675	1	64 Mount Bracket	16E698	1
29	Belt	16E683	1	65 Nipple	156849	1
30▲	Decal - Operating Instructions - Gas (S/F)		1	66 Regulator	16E706	1
31	Fastener	16E748	2	67 Elbow	16E717	1
32▲	Decal - Operating Instructions - Gas (E)		1	68 Hose Barb	16E482	1
33	Beltguard Front	16E766	1	69 Worm Clamp	16E502	2
34	Edging *(Five Feet Required)	16E492	1	70 Hose	16J760	1
35	Locknut	111040	4	71 Elbow	16E723	1
36	Washer	16E602	8	72▲ Decal Set, Safety (Includes 3, 4, 10, 23, 24, 25, 30, 32, 38, 40, 57)	16F185	1

▲ Replacement warning decals available at no cost.

Pump Assembly - Parts

16E738 (for use with Model 1720G)



Pump Assembly - Parts

16E738 (for use with Model 1720G)

DESCRIPTION	PART #	QTY
KIT, REPAIR, VALVE PLATE ASSY INCLUDE 2-9 (1)	24F003	1
KIT, REPAIR, PISTON SEALS INCLUDES 16, 17	24F004	1
KIT, REPAIR, PISTON INCLUDES 12-15, 18-21	24F006	1
KIT, REPAIR, PUMP GASKETS INCLUDES 2, 7, 9, 10, 11	24F005	1

Technical Data

MODEL NUMBER	262360	262361
Engine:	Honda	
Size	200cc	270cc
Engine Type	4 Stroke, Overhead Valve, Single Cylinder	
Oil Type	SAE 10W 30	
Oil Capacity (oz./liters)	20 oz./591 ml	37 oz. /1094 ml
Fuel Type	Unleaded Gasoline 86 Octane Minimum	
Fuel Capacity (gallon/liters)	.95/3.6	1.6/6.05
Engine RPM	3300	3500
Idle RPM	2200-2400	
Compressor Pump:		
Number of Cylinders	2	
Compression Stages	1	2
RPM	1320	864
Oil Capacity	9.5 oz./280 ml	24.7 oz./730 ml
Oil Type	30 W Non Detergent	
Pilot Valve Setting:		
Cut-out	125 PSI	175 PSI
Cut-in	95 PSI	145 PSI
Air Tank:		
Capacity	8 Gallons	
Performance:		
CFM @ 40 PSI	16.8	19.7
CFM @ 100 PSI	13.1	18.3
CFM @ 175 PSI	-	17.5
Maximum Pressure	125 PSI	175 PSI
Pump-up Time: 0-125 PSI	36 seconds	44 seconds
Recovery Time: 95-125 PSI	7.5 seconds	9 seconds
Sound:		
Sound Pressure	89.5	92.5
Sound Power	103.7	107.2
Weight:		
Net	170 lbs	288
Shipping	190 lbs	358
Dimensions:		
Basic L x W x H	44.5" x 18.5" x 26"	44" x 26" x 33"
Shipping L x W x H	45" x 19" x 32"	48.5" x 30.5" x 40"
Max Storage Time (years)	5	5
Max Lifetime	10	10
Power Efficiency Factor	0.13 Liters fuel per M ³ Air @ 7 Bar	0.17 Liters fuel per M ³ Air @ 7 Bar

Graco Standard Warranty

Graco warrants all equipment referenced in this document which is manufactured by Graco and bearing its name to be free from defects in material and workmanship on the date of sale to the original purchaser for use. With the exception of any special, extended, or limited warranty published by Graco, Graco will, for a period of twelve months from the date of sale, repair or replace any part of the equipment determined by Graco to be defective. This warranty applies only when the equipment is installed, operated and maintained in accordance with Graco's written recommendations.

This warranty does not cover, and Graco shall not be liable for general wear and tear, or any malfunction, damage or wear caused by faulty installation, misapplication, abrasion, corrosion, inadequate or improper maintenance, negligence, accident, tampering, or substitution of non-Graco component parts. Nor shall Graco be liable for malfunction, damage or wear caused by the incompatibility of Graco equipment with structures, accessories, equipment or materials not supplied by Graco, or the improper design, manufacture, installation, operation or maintenance of structures, accessories, equipment or materials not supplied by Graco.

This warranty is conditioned upon the prepaid return of the equipment claimed to be defective to an authorized Graco distributor for verification of the claimed defect. If the claimed defect is verified, Graco will repair or replace free of charge any defective parts. The equipment will be returned to the original purchaser transportation prepaid. If inspection of the equipment does not disclose any defect in material or workmanship, repairs will be made at a reasonable charge, which charges may include the costs of parts, labor, and transportation.

THIS WARRANTY IS EXCLUSIVE, AND IS IN LIEU OF ANY OTHER WARRANTIES, EXPRESS OR IMPLIED, INCLUDING BUT NOT LIMITED TO WARRANTY OF MERCHANTABILITY OR WARRANTY OF FITNESS FOR A PARTICULAR PURPOSE.

Graco's sole obligation and buyer's sole remedy for any breach of warranty shall be as set forth above. The buyer agrees that no other remedy (including, but not limited to, incidental or consequential damages for lost profits, lost sales, injury to person or property, or any other incidental or consequential loss) shall be available. Any action for breach of warranty must be brought within two (2) years of the date of sale.

GRACO MAKES NO WARRANTY, AND DISCLAIMS ALL IMPLIED WARRANTIES OF MERCHANTABILITY AND FITNESS FOR A PARTICULAR PURPOSE, IN CONNECTION WITH ACCESSORIES, EQUIPMENT, MATERIALS OR COMPONENTS SOLD BUT NOT MANUFACTURED BY GRACO. These items sold, but not manufactured by Graco (such as electric motors, switches, hose, etc.), are subject to the warranty, if any, of their manufacturer. Graco will provide purchaser with reasonable assistance in making any claim for breach of these warranties.

In no event will Graco be liable for indirect, incidental, special or consequential damages resulting from Graco supplying equipment hereunder, or the furnishing, performance, or use of any products or other goods sold hereto, whether due to a breach of contract, breach of warranty, the negligence of Graco, or otherwise.

For Graco Canada Customers

The Parties acknowledge that they have required that the present document, as well as all documents, notices and legal proceedings entered into, given or instituted pursuant hereto or relating directly or indirectly hereto, be drawn up in English. Les parties reconnaissent avoir convenu que la rédaction du présente document sera en Anglais, ainsi que tous documents, avis et procédures judiciaires exécutés, donnés ou intentés, à la suite de ou en rapport, directement ou indirectement, avec les procédures concernées.

Graco Information

TO PLACE AN ORDER, contact your Graco distributor or call 1-800-690-2894 to identify the nearest distributor.

All written and visual data contained in this document reflects the latest product information available at the time of publication.

Graco reserves the right to make changes at any time without notice.

Original instructions. This manual contains English. MM 3A0595

Graco Headquarters: Minneapolis

International Offices: Belgium, China, Japan, Korea

GRACO INC. AND SUBSIDIARIES • P.O. BOX 1441 • MINNEAPOLIS MN 55440-1441 • USA

Copyright 2010, Graco Inc. All Graco manufacturing locations are registered to ISO 9001

www.graco.com

Revised 04/2011